

VIKING PRODUCT MANUAL

COMMUNICATION & SECURITY SOLUTIONS

ADA Compliant VoIP
Emergency Tower Phones

July 14, 2016

ADA Compliant VoIP Tower Phones with Blue LED Beacon and Strobe Light

The **E-1600-BLT1PEWP**, **E-1600BLT21PEWP**, **E-1600-AST1PEWP** and **E-1600AST21PEWP** ADA Compliant VoIP Emergency Tower Phones are designed to provide quick and reliable handsfree communication for SIP VoIP phone systems with PoE. The tower phones meet ADA requirements for emergency telephones, and can be programmed from any Touch Tone phone or PC on the same LAN or remotely using a static IP address. The phones can dial up to 5 programmable emergency numbers. In addition, the **E-1600BLT21PEWP** and **E-1600AST21PEWP** feature a second "INFO" button that will dial up to 5 non-emergency numbers.

At the simple push of a button, the Tower Phone will initiate a call to your emergency personnel and send a digital announcement to identify the location of the emergency call. In addition, the tower phone's bright LED strobe light will instantly begin flashing to deter further activity and make it fast and easy for Police or Security personnel to locate the site of the emergency. The strobe light can also be programmed to provide a continuous-on lower intensity beacon when the emergency phone is not in use.

All four Tower Phone Models are equipped with Enhanced Weather Protection (EWP) for outdoor installations where the unit is exposed to precipitation or condensation. EWP products feature foam rubber gaskets and boots, sealed connections, gel-filled butt connectors, as well as urethane or thermal plastic potted circuit boards with internally sealed, field-adjustable trim pots and DIP switches for easy on-site programming. For more information on EWP, see **DOD# 859**.



E-1600-BLT1PEWP E-1600BLT21PEWP E-1600-AST1PEWP E-1600AST21PEWP

⚠ Installation requires the assistance of a Network Administrator / IT Technician.

Features

- Self diagnostic reports via email (testing com, mic, speaker, and switch)
- Automatic polling and programming software included
- SIP compatible (see page 2 for list of compatible IP-PBX phone systems)
- PoE powered (class 1, <4 watts)
- Automatic Noise Canceling (ANC) for operation in noisy environments
- VoIP eliminates the need for "Push to Talk" mode
- Network downloadable firmware
- Meets ADA requirements for Emergency Phones:
 - Automatically lights the "Call Connected" LED
 - Transmits a location I.D. or voice announcement
 - Grade 2 Braille label for the visually impaired
- Non-volatile digital voice announcer with 28 seconds of voice memory
- Handsfree operation
- Marine grade 316 stainless steel prevents faceplate / push button corrosion
- Dials up to 5 emergency numbers
- **E-1600BLT21PEWP** and **E-1600AST21PEWP** can also dial up to 5 additional non-emergency "INFO" numbers
- Cycles through backup phone numbers on busy or no-answer
- Comes standard with Enhanced Weather Protection (EWP), EWP products are designed to meet IP66 Ingress Protection Rating, see **DOD# 859**
- Hangs up on busy signal, time-out or touch tone command
- Remotely programmable
- Extended temperature range (-40°F to 140°F)
- Optional **PB-100** Polling System available (**DOD# 232**)

Applications

- Campus Security Sites
- Area of Refuge sites
- Parking Ramps/Lots
- Automated Tellers (ATM)
- Entryways
- Roadside Emergency Sites
- Stairwells in Public Buildings

www.vikingelectronics.com
Information: (715) 386-8861

Specifications

Power: PoE class 1 (<4 watts)
Dimensions: See Installation and Specifications
Operating Temperature: -40° C to 60° C (-40°F to 140°F)
Humidity - Standard Products: 5% to 95% non-condensing
Humidity - EWP Products: Up to 100%
Audio Codecs: G711u, G711a, G722
Network Compliance: IEEE 802.3 af PoE, SIP 2.0 RFC3261, 100BASE-TX with auto cross over
Connections: (1) RJ45 10/100 Base-T, (3) gel-filled butt connectors

Viking VoIP SIP System Compatibility List

NOTE: Exclusion from this list means only that compatibility has not been verified, **it does not mean incompatibility.**

For detailed configuration instructions for certain vendors below, see **Configuring Viking VoIP Phone and SIP Servers, DOD# 944.**

| Vendor | Infrastructure Class | | | | |
|--|----------------------|-----|-------|------------------------------------|------------------|
| | Softswitch | PBX | Proxy | SBC (session border controller) | Service Provider |
| 3COM VCX | | X | | | |
| 3CX | | X | | | |
| Aastra | | X | | | |
| Asterisk | | X | | | |
| Atcom | | X | | | |
| Avaya Aura Communication Manager | X | | | | |
| Avaya IP Office | | X | | | |
| BlueBox | | X | | | |
| Brekeke | | X | | | |
| Callcentric | | | | | X |
| Cisco Unified Communications Manager (CUCM) | X | X | | | |
| Cisco Unified Communications Manager Express (CUCME) | X | X | | | |
| Elastix | | X | | | |
| Freeswitch | | X | | | |
| Grandstream | | X | | | |
| Interactive Intelligence | X | X | | | |
| iptel.org | | | | | X |
| Kamailio | | | X | X | |
| MetaSwitch | | | | X | X |
| NEC | | X | | | |
| OfficeSIP | | X | | | |
| OpenSIPS | | X | | | |
| Panasonic** (with SIP Extension Card) | | X | | | |
| Samsung Communications Manager (SCM) | X | X | | | |
| ShoreTel* | | X | | | |
| Siemens Communications Server (SCS) | | X | | | |
| SIP Express Router (SER) | | | X | X | |
| sip.antisip.com | | | | | X |
| Snom PBX | | X | | | |
| Sonus | | | | X | |
| Switchvox | | X | | | X |
| Teksip | | | X | | |
| Toshiba | | X | | | |
| VoIP.ms | | | | | X |

* **Note:** Not compatible with ShoreTel Ring Group/Hunt Group (unit can be programmed to ring an extension 2 or 3 times then roll to the next number, for a total of 5 numbers).

** **Note:** Relay operation commands are Not compatible with Panasonic Phone Systems (Panasonic does not transmit DTMF between station ports).

Known Incompatible System or Service Provider: Ring Central (Requires Authorization ID and Proxy address).

Definitions

Client: A computer or device that makes use of a server. As an example, the client might request a particular file from the server.

DHCP: Dynamic Host Configuration Protocol. In this procedure the network server or router takes note of a client's MAC address and assigns an IP address to allow the client to communicate with other devices on the network.

DNS Server: A DNS (Domain Name System) server translates domain names (ie: www.vikingelectronics.com) into an IP address.

Ethernet: Ethernet is the most commonly used LAN technology. An Ethernet Local Area Network typically uses twisted pair wires to achieve transmission speeds up to 1Gbps.

Host: A computer or device connected to a network.

Host Name: A host name is a label assigned to a device connected to a computer network that is used to identify the device in various forms of network communication.

Hosts File: A file stored in a computer that lists host names and their corresponding IP addresses with the purpose of mapping addresses to hosts or vice versa.

Internet: A worldwide system of computer networks running on IP protocol which can be accessed by individual computers or networks.

IP: Internet Protocol is the set of communications conventions that govern the way computers communicate on networks and on the Internet.

IP Address: This is the address that uniquely identifies a host on a network.

LAN: Local Area Network. A LAN is a network connecting computers and other devices within an office or building.

Lease: The amount of time a DHCP server reserves an address it has assigned. If the address isn't used by the host for a period of time, the lease can expire and the address can be assigned to another host.

MAC Address: MAC stands for Media Access Control. A MAC address, also called a hardware address or physical address, is a unique address assigned to a device at the factory. It resides in the device's memory and is used by routers to send network traffic to the correct IP address. You can find the MAC address of your **E-1600-BLTIPEWPIE-1600BLT2IPEWP** phone printed on a white label on the top surface of the PoE LAN port.

Router: A device that forwards data from one network to another. In order to send information to the right location, routers look at IP Address, MAC Address and Subnet Mask.

RTP: Real-Time Transport Protocol is an Internet protocol standard that specifies a way for programs to manage the real-time transmission of multimedia data over either unicast or multicast network services.

Server: A computer or device that fulfills requests from a client. This could involve the server sending a particular file requested by the client.

Session Initiation Protocol (SIP): Is a signaling communications protocol, widely used for controlling multimedia communication sessions such as voice and video calls over Internet Protocol (IP) networks. The protocol defines the messages that are sent between endpoints, which govern establishment, termination and other essential elements of a call.

Static IP Address: A static IP Address has been assigned manually and is permanent until it is manually removed. It is not subject to the Lease limitations of a Dynamic IP Address assigned by the DHCP Server. The default static IP Address is: **192.168.154.1**

Subnet: A portion of a network that shares a common address component. On TCP/IP networks, subnets are defined as all devices whose IP addresses have the same prefix. For example, all devices with IP addresses that start with 100.100.100. would be part of the same subnet. Dividing a network into subnets is useful for both security and performance reasons. IP networks are divided using a subnet mask.

TCP/IP: Transmission Control Protocol/Internet Protocol is the suite of communications protocols used to connect hosts on the Internet. TCP/IP uses several protocols, the two main ones being TCP and IP. TCP/IP is built into the UNIX operating system and is used by the Internet, making it the de facto standard for transmitting data over networks.

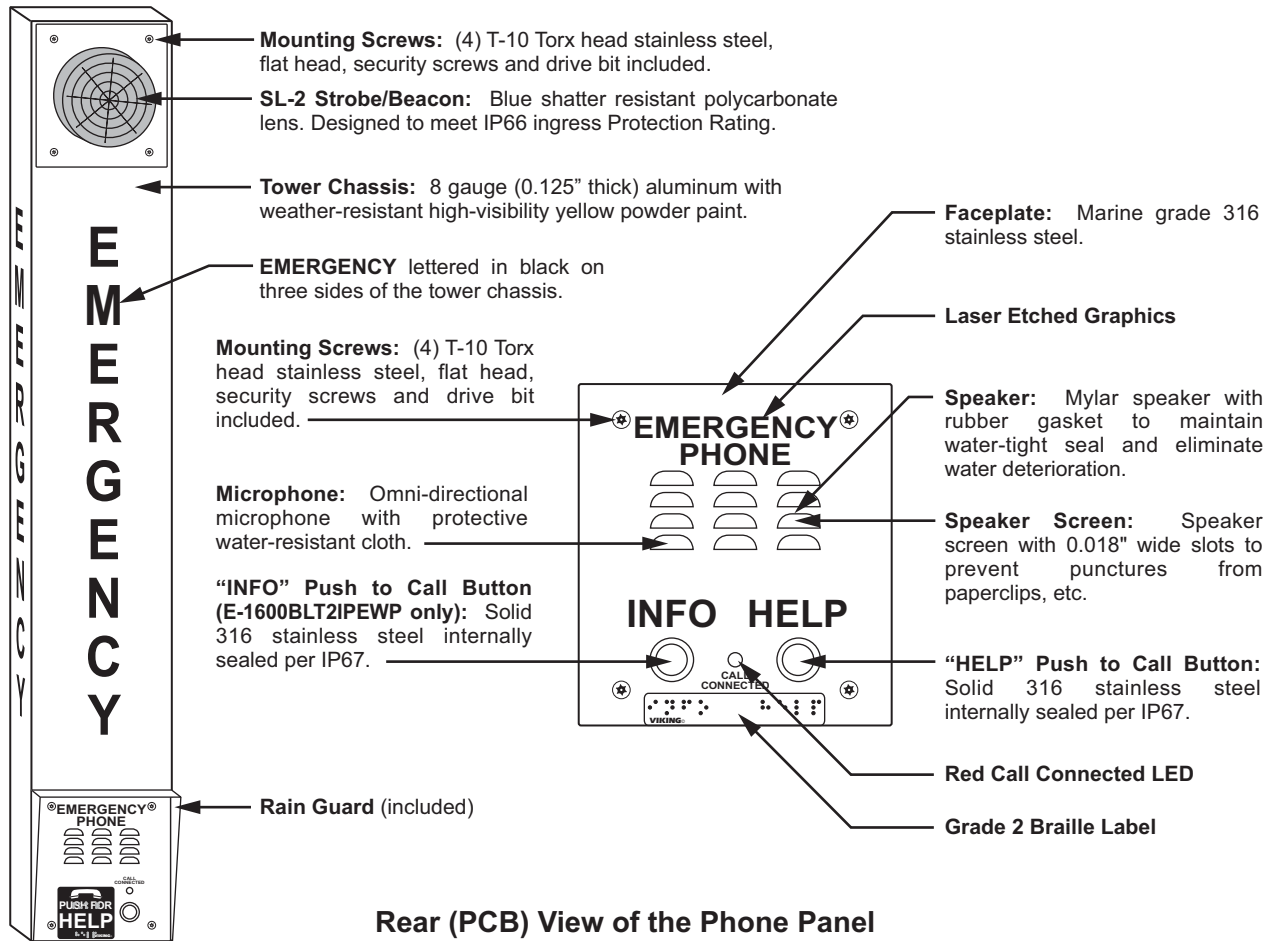
TISP: Telephone Internet Service Provider

WAN: Wide Area Network. A WAN is a network comprising a large geographical area like a state or country. The largest WAN is the Internet.

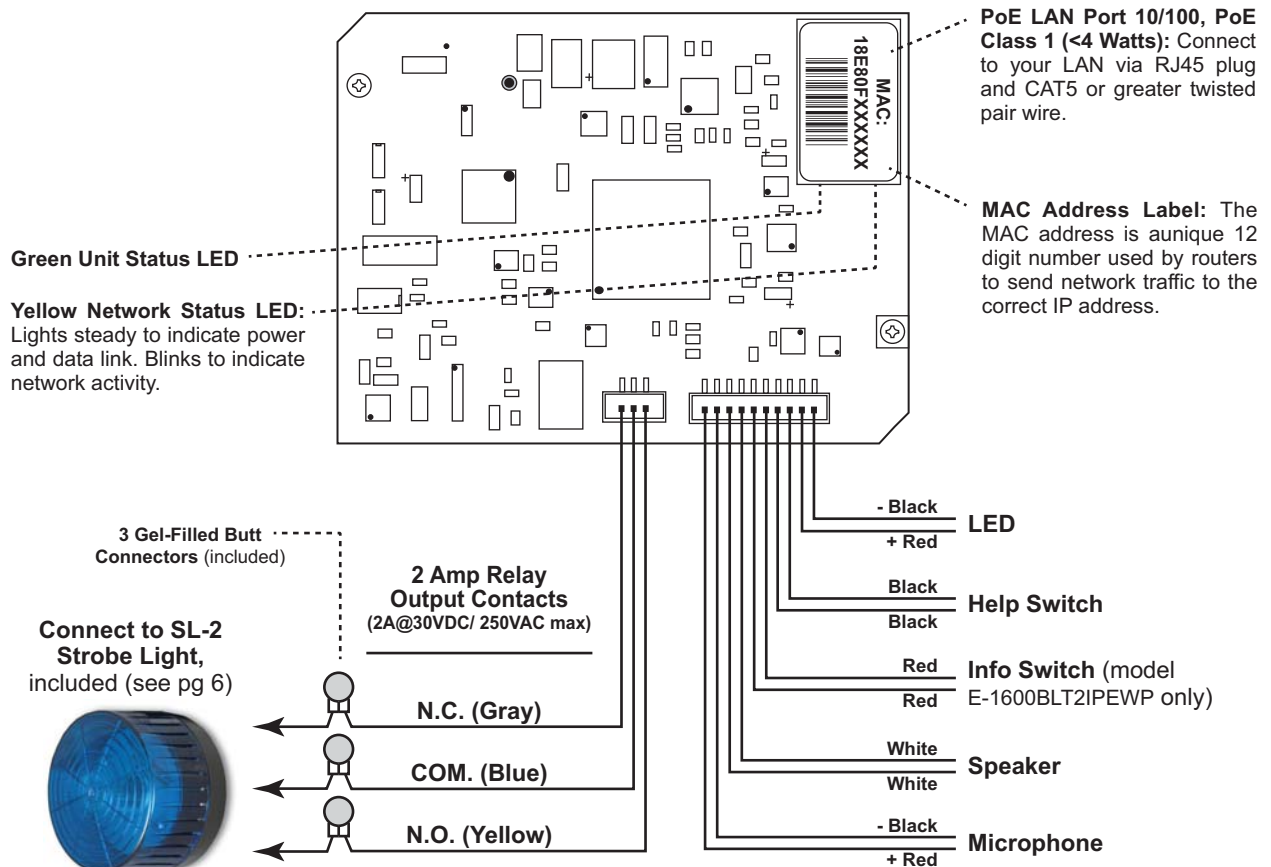
Wireless Access Point (AP): A device that allows wireless devices to connect to a wired network using Wi-Fi, or related standards. The AP usually connects to a router (via a wired network) as a standalone device, but it can also be an integral component of the router itself.

Wireless Repeater (Wireless Range Extender): takes an existing signal from a wireless router or access point and rebroadcasts it to create a second network. When two or more hosts have to be connected with one another over the IEEE 802.11 protocol and the distance is too long for a direct connection to be established, a wireless repeater is used to bridge the gap.

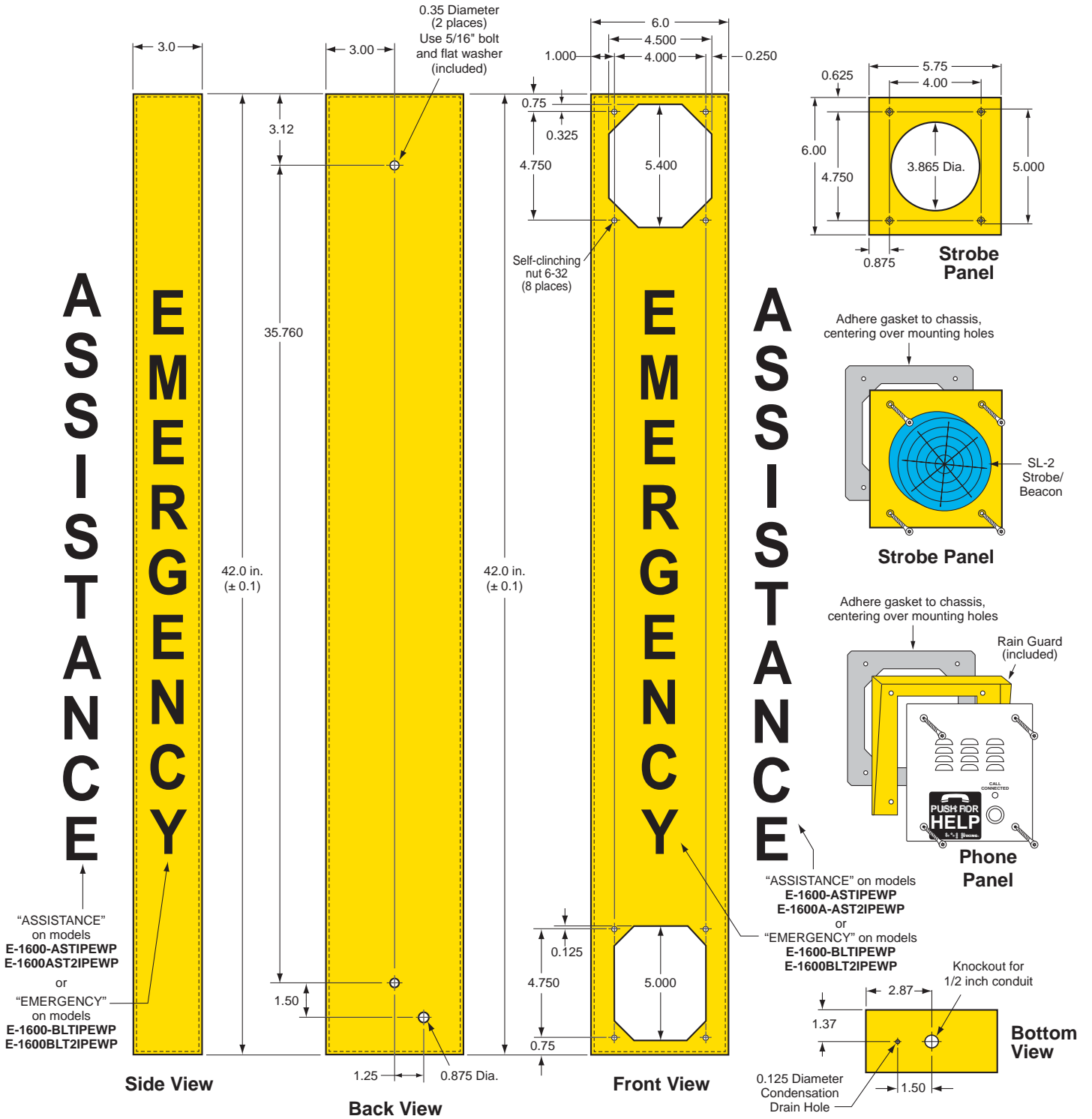
Features Overview



Rear (PCB) View of the Phone Panel



Installation and Specifications

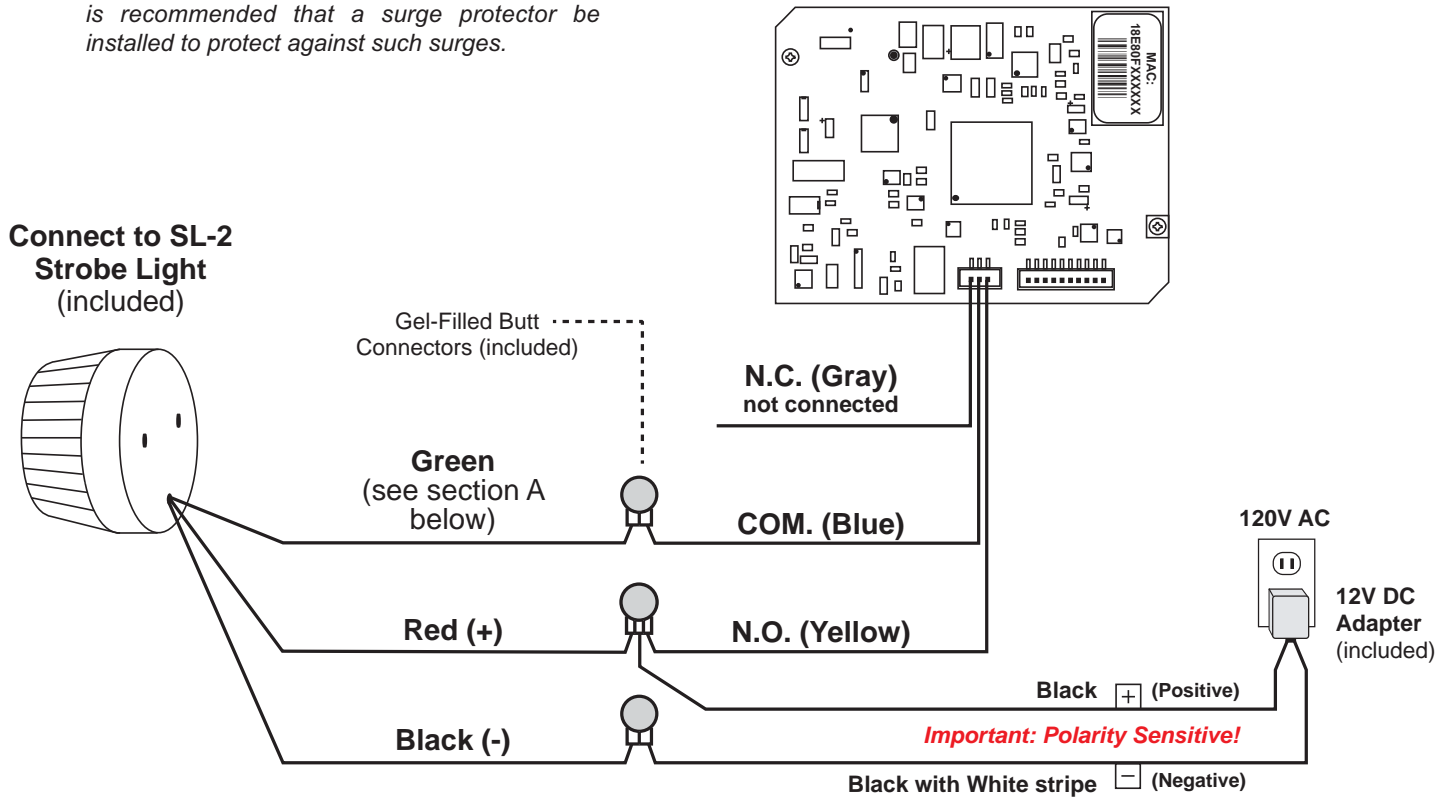


Wiring



IMPORTANT: Electronic devices are susceptible to lightning and power station electrical surges from both the AC outlet and the telephone line. It is recommended that a surge protector be installed to protect against such surges.

Rear (PCB) View of the E-1600-BLTIPEWP Phone Panel



Programming the SL-2 Strobe / Beacon

The **SL-2** can be user programmed as a Beacon only, Strobe only or Beacon/Strobe. The brightness setting can be programmed separately for the Strobe or Beacon and one of 4 different Flash Patterns can be programmed for the strobe (see **Strobe Flash Patterns**, on page 7). **Note:** The **SL-2** is factory default programmed as a steady on beacon with a single flash strobe when activated. The beacon and strobe are set to their brightest settings. All programming should be done prior to connecting to the 2 amp relay contacts on the **1600-IP PCB**.

A. Accessing the Programming Mode

(Optional, the **SL-2** is factory programmed to the Beacon/Strobe Mode and brightest Beacon/Strobe settings).

| | |
|----------------|---|
| Step 1. | Apply 10-15 VDC power to the Red (+) and Black (-) wires. |
| Step 2. | Touch and hold the Green (Control) wire to the Black (-) wire for 3 seconds. The strobe should flash twice. You are now in Programming mode. Note: Once in the programming mode, if a programming command has not been entered for 20 seconds the strobe will flash 3 times indicating the unit has exited programming and returned to the Run Mode. |

B. Programming Desired Features (after accessing the Programming Mode as shown on page 6)

Select the Feature: Momentarily touch the Green (Control) wire to the Black (-) wire 1 to 10 times to select which feature to program, see Programming Features List to the right. The strobe should momentarily flash each time the Green (Control) wire has touched the Black (-) wire.

Features 1-3 & 6-10: After selecting Programming Features 1-3 or 6-10, wait 3 seconds and the strobe should flash 2 times indicating that feature has been programmed. You can now exit programming or move on to programming the Beacon or Strobe brightness settings.

Setting Strobe Brightness (factory set to 6/Brightest): After selecting Programming Feature 4 (Strobe Brightness), wait 3 seconds and the strobe should begin flashing in the preprogrammed flash pattern. Touch and hold the Green (Control) wire to the Black (-) wire. The **SL-2** will begin flashing the strobe cycling through 6 different brightness settings from lowest to highest. When the **SL-2** flashes at the desired brightness level immediately remove the Green wire from the Black. The **SL-2** should flash twice indicating the selected brightness level has been set.

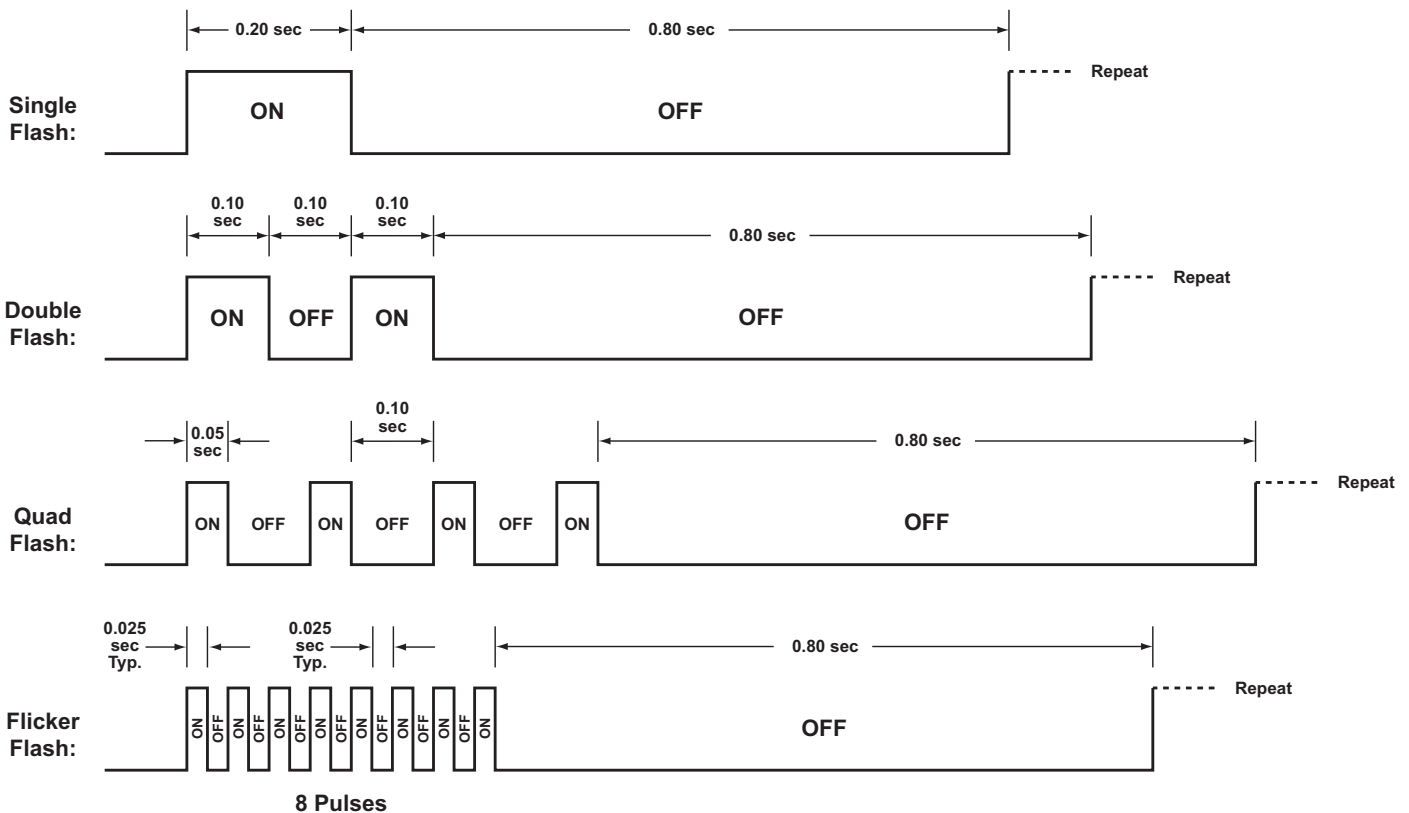
Setting Beacon Brightness (Factory set to 6/Brightest): After selecting Programming Feature 5 (Beacon Brightness), wait 3 seconds and the beacon will light at its preprogrammed beacon brightness setting. Touch and hold the Green (Control) wire to the Black (-) wire. The **SL-2** will begin stepping through 6 different beacon brightness settings from lowest to highest. When the **SL-2** lights at the desired beacon brightness level immediately remove the Green wire from the Black. The **SL-2** should flash twice indicating the selected brightness level has been set.

Exiting Programming: To exit programming simply wait 20 seconds from the last programming command and the unit will flash 3 times. This indicates the **SL-2** has exited the programming mode and is now in the Run mode. **Note:** To eliminate waiting 20 seconds, you can also exit programming after the last programming command by touching and holding the Green (Control) wire to the Black (-) for 3 seconds. The strobe will flash 3 times indicating the unit has exited the programming mode and is now in the Run mode.

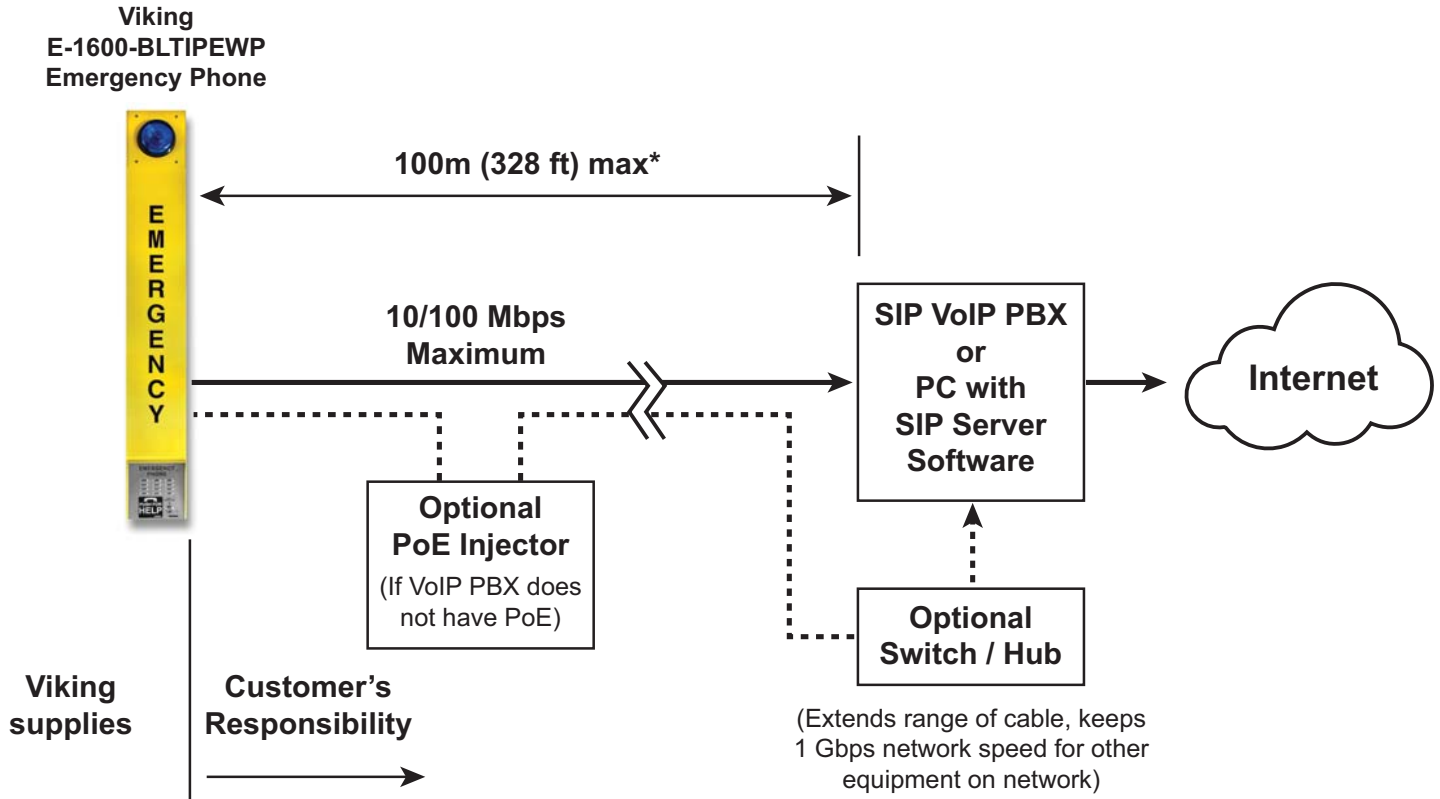
Programming Features List

| Feature Number | Description |
|----------------|--|
| 1 | Beacon/Strobe (factory default) |
| 2 | Strobe Only |
| 3 | Beacon Only |
| 4 | Strobe Brightness 1-6 (factory default = 6, brightest setting) |
| 5 | Beacon Brightness 1-6 (factory default = 6, brightest setting) |
| 6 | Single Flash Strobe (factory default) |
| 7 | Double Flash Strobe |
| 8 | Quad Flash Strobe |
| 9 | Flicker Flash Strobe |
| 10 | Reset to Factory Default Settings |

C. Strobe Flash Patterns



Typical Installation on SIP Based VoIP Phone System



* **Note:** A PoE extender can be used for an additional 100 meters per extender. For longer runs (up to 2 km / 1.2 miles) a ethernet to fiber media converter can be used.

PC Requirements

- **IBM** compatible personal computer with:
 - Windows 2000 (service pack 4 or higher)
 - Windows XP (service pack 2 or higher)
 - Windows Vista (SP2 or newer), 32 or 64 bit versions
 - Windows 7
 - Windows 8
- Adobe Acrobat Reader 8 or higher
- **1600-IP Series** hardware
- Available LAN with PoE (class 1, <4 watts)
- Ethernet cable (CAT5 min.)
- 1 MB minimum free hard drive space for installation
- 16MB of free physical RAM

PC Programming

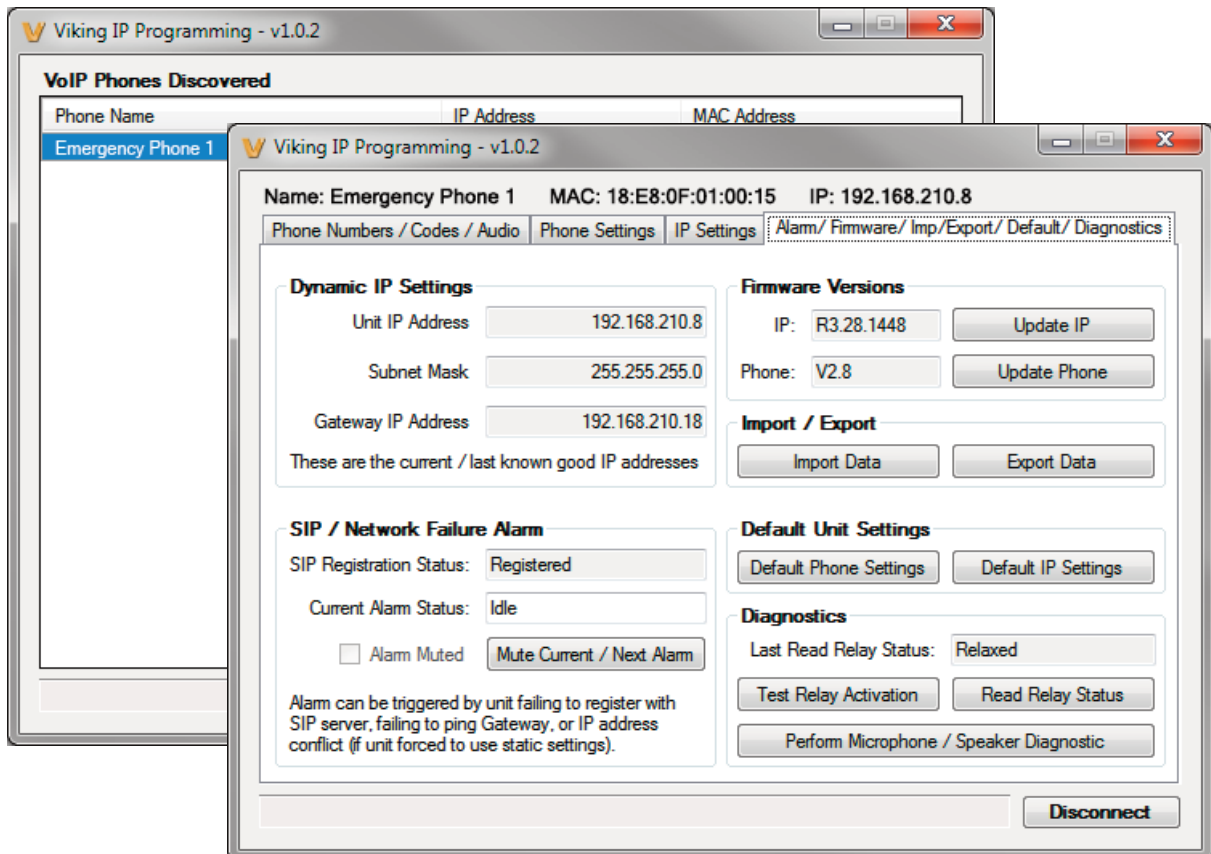
A DVD is included with each **E-1600-BLTIPEWP** VoIP phone. The DVD contains the application “**Viking VoIP Phone Programming**” used to program the unit using a PC running Windows 2000, XP, Vista, Windows 7, or Windows 8 (see System Requirements above). The PC must be connected to the same LAN as the **E-1600-BLTIPEWP** VoIP phone. Install the application on your PC by placing the DVD into your PC’s drive. Click “I Accept” on the bottom of the first screen, then select “Viking VoIP Phone Programming” and click the “Install” button. Follow the directions on the screen. If you are reinstalling the Viking VoIP Phone Programming software you must uninstall the original version first via “Add and Remove Programs”. To start the Viking VoIP Phone Programming application, click on the Viking VoIP Phone Programming icon on your desk top. The Main screen will appear, allowing the user to program any **E-1600-BLTIPEWP** phone connected to that LAN.

A. Manually Muting SIP/Network Failure Alarm Beeps (3 beeps repeated every 30 seconds)

With the unit connected and powered (Green LED on and Yellow LED off or blinking) it will output 3 beeps every 30 seconds and turn the Call/Call Connected LED on and off once per second indicating a SIP registration failure, failure to receive an echo reply from a pinged gateway or Ethernet connection failure. You can manually disable the beeps by pressing and holding the Call button for 5 seconds (2 beeps will then be heard) or by clicking the “Mute Alarm Until Next Failure” tab in the Viking VoIP programming software. The LED will continue to flash allowing you to trouble shoot the failure.

B. Configuring the E-1600-BLTIPEWP Series Network Settings

| | |
|----------------|---|
| Step 1. | Open the “Viking VoIP Phone Programming” software on a windows PC that is connected to the same LAN as the E-1600-BLTIPEWP phone to be programmed. |
| Step 2. | The window in the upper left corner of the menu will show you each E-1600-BLTIPEWP phone that is connected to that LAN. Select the unit with the same MAC address shown on the label located on the top of the Ethernet connector on the E-1600-BLTIPEWP phone. |
| Step 3. | Click the “Connect” button. If a pop up window appears, enter the unit’s security code (factory set to 845464) then click the “OK” button. |
| Step 4. | The program will then read and display the E-1600-BLTIPEWP phone’s IP and programming settings. |
| Step 5. | After adjusting the IP and phones settings, click the “Write” button under each column of settings to send the programming commands to the connected unit. |



C. Manually Resetting All Network Parameters to Factory Default

| | |
|----------------|--|
| Step 1. | Power down the E-1600-BLTIPEWP phone by disconnecting the RJ45 plug. |
| Step 2. | Press and hold the HELP button, then reconnect the RJ45. |
| Step 3. | Continue to hold the button until you hear 2 beeps, (approximately 6 seconds). Continue to hold the button until you hear 4 more beeps, approximately 6 seconds later, then release the button. The “Call Connected” LED will remain off for the first 3 seconds, flash slowly for 3 seconds (2 beeps), fast flash for 6 seconds (4 beeps), then light steady indicating when to release button. |
| Step 4. | The unit should continue to output double beeps and slowly flash the LED indicating all Network Parameters are now reset to factory default. |
| Step 5. | You must now power cycle the unit by momentarily disconnecting the RJ45. |
| Step 6. | You will be required to re-enter your initial network settings prior to any touch tone programming, see section B on page 9. |

Touch Tone Programming

A. Accessing the Touch Tone Programming Mode

The **E-1600-BLTIPEWP** emergency phones can be programmed by calling the unit from any touch tone phone.

1. Using the Security Code to Enter Programming

| | |
|----------------|---|
| Step 1. | From a touch tone phone call the E-1600-BLTIPEWP phone you would like to program. |
| Step 2. | When the E-1600-BLTIPEWP phone answers, enter the 6-digit security code (factory set to 845464 , see section B). A double beep should then be heard indicating you have entered the programming mode. |
| Step 3. | You can now touch tone program the Quick Programming Features listed on page 11. |

2. Manually Resetting the Security Code to Enter Programming

| | |
|----------------|---|
| Step 1. | Power down the E-1600-BLTIPEWP phone by disconnecting the RJ45 plug. |
| Step 2. | Press and hold the HELP/CALL button, then reconnect the RJ45. |
| Step 3. | Continue to hold the button until you hear 2 beeps, (approximately 6 seconds). Then release the button. The “Call Connected” LED will remain off for the first 3 seconds, flash slowly for 3 seconds then fast flash (after 2 beeps) indicating when to release button. |
| Step 4. | The security code is now reset to 845464 (factory default). |
| Step 5. | You can now enter touch tone programming by following the steps in section 1. Using the Security Code , above. |

B. Security Code (#19)

The security code allows the user/installer to program the **E-1600-BLTIPEWP** phone. The factory set security code is 845464 (V-I-K-I-N-G). It is recommended that the factory set security code be changed. **Note:** *The security code must be 6 digits and cannot include a * or a #.*

Example: To store 123456 as the security code (shown below).

| | |
|----------------|--|
| Step 1. | Access programming as shown in Programming section A . |
| Step 2. | Enter 123456 #19 . |
| Step 3. | Hang-up. |

Quick Programming Features (after accessing the Touch Tone Programming Mode)

| DESCRIPTION | DIGITS | + | MEMORY LOCATION |
|--|------------------|------|-----------------|
| First emergency speed dial number | 0-32 digits | then | #00 |
| Second emergency speed dial number | 0-32 digits | then | #01 |
| Third emergency speed dial number | 0-32 digits | then | #02 |
| Fourth emergency speed dial number | 0-32 digits | then | #03 |
| Fifth emergency speed dial number | 0-32 digits | then | #04 |
| First "Info" speed dial number (E-1600BLT2IPEWP only) | 0-32 digits | then | #05 |
| Second "Info" speed dial number (E-1600BLT2IPEWP only) | 0-32 digits | then | #06 |
| Third "Info" speed dial number (E-1600BLT2IPEWP only) | 0-32 digits | then | #07 |
| Fourth "Info" speed dial number (E-1600BLT2IPEWP only) | 0-32 digits | then | #08 |
| Fifth "Info" speed dial number (E-1600BLT2IPEWP only) | 0-32 digits | then | #09 |
| To clear any speed dial number | (no digits) | then | #00 - #09 |
| Talk/Listen Delay (VOX) (.1 to .9 sec, factory set to .5 sec) | 1 digit (1-9) | then | #11 |
| Call Length Time Out (0 to 9 min, 0 = disabled, factory set to 3 min) | 1 digit (0-9) | then | #12 |
| Repeat Announcement (0 to 9, 0 = play every 8 sec, factory set to 1) | 1 digit (0-9) | then | #15 |
| Lap Counter (0 to 9, 0 = disabled, factory set to 0) | 1 digit (0-9) | then | #16 |
| Dial Next Number on Ring No Answer (0 or 1 = disabled, 2 - 9 = number of rings, factory set to 7) | 1 digit (0-9) | then | #17 |
| Dial Next Number on Busy (0 or 1, 0 = disabled, factory set to 1/enabled) | 1 digit (0 or 1) | then | #18 |
| Security code (factory set to 845464) | 6 digits (0-9) | then | #19 |
| Identification number (1-6 digits, blank = disabled, factory set to 987654) | 0-6 digits (0-9) | then | #20 |
| Access Code (1-6 digits, blank = disabled, factory set to 123456) | 0-6 digits (0-9) | then | #21 |
| Microphone volume (0-9, 0 = ANC, factory set to 5) | 1 digit (0-9) | then | #22 |
| Speaker Volume (0-9, factory set to 5) | 1 digit (0-9) | then | #23 |
| Relay Activation Command (1 or 2 digits, **** = *, *## = ##, 0-9 or 00-99, factory set to **) (Relay Mode must be set to 0 = Door Strike) | 1 or 2 digits | then | #24 |
| Relay Activation Time (2 digits, 00-99 sec, 00= 0.5 sec, factory set to 05) | 2 digits (00-99) | then | #25 |
| Relay Mode (0 = Door Strike, 1 = Outbound Call, 2 = In/Outbound Call, 3 = Doorbell, 4 = LV-1K Control, factory set to 1) | 1 digit (0-4) | then | #26 |
| Relay Activation Tone (Buzz) Volume (1 digit 0-3, 0 = off, factory set to 3) | 1 digit (0-3) | then | #27 |
| In-Band Audio Detection Sensitivity (1-9, 1 = minimum, 9 = maximum, factory set to 5, power cycle unit after setting) | 1 digit (1-9) | then | #28 |
| In-Band Audio Call Progress Detection (0 or 1, 0 = OFF, 1 = ON, factory set to 0) | 1 digit (0 or 1) | then | #29 |
| "Call Connected" LED Control (0 or 1, 0 = Automatic, 1 = Called Party Control / * entered to light LED, factory set to 0) | 1 digit (0 or 1) | then | #30 |
| Speaker Mode (0, 1 or 2, 0 = OFF/Silent Monitor, 1 = ON, 2 = OFF Until Answered, factory set to 1) | 1 digit (0-2) | then | #31 |
| LED Mode (1 digit 0-3, 0 = OFF, 1 = Entry Phone, 2 = Emergency Phone, 3 = Emergency Phone Outbound Only, factory set to 2) | 1 digit (0-3) | then | #32 |
| Auto Answer / Loud Ring (0, 1 or 2, 0 = Disabled, 1 = Auto Answer, 2 = Loud Ring, 3 = Loud Ring with AGC, factory set to 1) | 1 digit (0-3) | then | #33 |

| DESCRIPTION | ENTER DIGITS |
|---|--------------|
| Diagnostic tones (used to check mic and speaker operation) | *0 |
| Enable Alternate Switch Action (factory setting) | *1 |
| Disable Alternate Switch Action | *2 |
| Erase Message | *3 |
| Record Message (enter # to stop recording) | *4 |
| Playback Message | *5 |
| Enable Relay Latching Commands (factory setting) | *6 |
| Disable Relay Latching Commands | *7 |
| To add a * at any point in the dialing string or relay command | ** |
| To add a # at any point in the dialing string or relay command | *# |
| Reset all Quick Programming Features to factory default settings | ### |

Programming Features

Note: Up to 32 digits can be stored in each dial position via touch tone programming, up to 90 characters via PC programming. Touch tone * and # count as single digits.

1. Speed Dial Numbers (#00 - #09)

A. Emergency Speed Dial Numbers (memory locations #00 - #04)

The emergency speed dial number programmed in location #00 is the number that is dialed when the "HELP" button is first pressed. Additional speed dial numbers will be dialed when there is no answer or a busy signal is detected and the next number redial features are activated. To program, enter the desired speed dial number followed by the location number (#00 - #04). To clear a speed dial location, simply enter the memory location (#00 - #04) alone. The E-1600-BLTIPWP phone is factory set with no speed dial number programmed.

| To Program: | Enter: |
|----------------|----------------|
| * | ** |
| # | *# |
| 0, 1, 2 9 | 0, 1, 2 9 |

B. "INFO" Speed Dial Numbers (E-1600BLT2IPEWP only) (memory locations #05 - #09)

The information speed dial number programmed in location #05 is the telephone or extension number that is dialed when the "INFO" button is first pressed (E-1600-20/22/52/53-IP). Additional information speed dial numbers will be dialed when there is no answer and the next number redial feature is activated. The 1600-IP Series phone will cycle through the programmed speed dial numbers until answered. To program, enter the desired speed dial number followed by the location number (#05 - #09). To clear a speed dial location, simply enter the location (#05 - #09) alone.

C. Speed Dial Programming Examples

| To Program the 1600-IP Series Phone... | Step 1 | Step 2 |
|---|--|--------------------------------------|
| ...to store 555-1234 as the first emergency speed dial number | Enter Programming (see A. Accessing the Touch Tone Programming Mode, page 10) | Enter digits: 5 5 5 1 2 3 4 # 0 0 |
| ...to clear the first emergency speed dial number | Enter Programming (see A. Accessing the Touch Tone Programming Mode, page 10) | Enter digits: # 0 0 |

2. Talk / Listen Delay (VOX) (#11)

This feature selects switching time between talk and listen modes (VOX switching time). Use chart at the right.

* **Note:** The factory default is .5 seconds.

| Touch Tone | Talk/Listen Delay |
|------------|-------------------|
| 1 | .1 sec |
| 2 | .2 sec |
| 3 | .3 sec |
| 4 | .4 sec |
| 5 | .5 sec * |
| 6 | .6 sec |
| 7 | .7 sec |
| 8 | .8 sec |
| 9 | .9 sec |

3. Call Length Time Out (#12)

This feature selects the maximum length of time that calls can be connected. Programmable in increments of 1 minute up to a maximum of 9 minutes (Touch Tones 1 - 9). Program 0 in this location to disable the call length time out. With the call length disabled, the E-1600-BLTIPWP phone must rely on a CPC signal, busy signal, silence or return to dial tone to hang-up. Use chart at the right.

* **Note:** The factory default is 3 minutes.

| Touch Tone | Call Length Time Out |
|------------|----------------------|
| 0 | Disabled |
| 1 | 1 min |
| 2 | 2 min |
| 3 | 3 min* |
| 4 | 4 min |
| 5 | 5 min |
| 6 | 6 min |
| 7 | 7 min |
| 8 | 8 min |
| 9 | 9 min |

4. Repeat Announcement Option (#15)

The **E-1600-BLTIPEWP** phone can be programmed to play the announcement from 1-9 times, or to continuously repeat the announcement every 6 seconds until a Touch Tone * is detected from the distant party. The call connected LED will turn on automatically after the announcement has stopped repeating.

* **Note:** The factory default for the **E-1600-BLTIPEWP** phone is to play the voice announcement one time.

| Touch Tone | Repeat Announcement |
|------------|------------------------|
| 0 | Repeat every 6 seconds |
| 1 | 1 time* |
| 2 | 2 time |
| 3 | 3 time |
| 4 | 4 time |
| 5 | 5 time |
| 6 | 6 time |
| 7 | 7 time |
| 8 | 8 time |
| 9 | 9 time |

5. Lap Counter (#16)

With the lap counter disabled (factory setting), if the **E-1600-BLTIPEWP** phone is programmed to dial the next number on ring-no-answer and/or busy signal (see section 6 and 7 below), the **E-1600-BLTIPEWP** phone will continuously call its programmed phone numbers forever until the call is answered.

The lap counter is a programmable counter that determines how many times the **E-1600-BLTIPEWP** phone will cycle through its list of up to 5 emergency numbers (or up to 5 "Info" phone numbers), before it stops the dialing process and hangs up. When all of the programmed phone numbers have been dialed, the lap counter is incremented and the dialing process repeats. When the lap counter has been met, the dialing process stops and the **E-1600-BLTIPEWP** phone hangs up.

* **Note:** This feature is disabled in the factory default setting.

| Touch Tone | Lap Counter |
|------------|-------------|
| 0 | Disabled* |
| 1 | 1 time |
| 2 | 2 time |
| 3 | 3 time |
| 4 | 4 time |
| 5 | 5 time |
| 6 | 6 time |
| 7 | 7 time |
| 8 | 8 time |
| 9 | 9 time |

6. Dial Next Number on Ring No Answer (#17)

If enabled and a ring-no-answer is detected, the **E-1600-BLTIPEWP** phone will dial the next programmed speed dial number, and continue to cycle through the emergency numbers until a call is completed.

* **Note:** Factory set to redial if not answered after 7 rings.

| Touch Tone | Ring No Answer |
|------------|----------------|
| 0 | Disabled |
| 1 | 1 ring |
| 2 | 2 rings |
| 3 | 3 rings |
| 4 | 4 rings |
| 5 | 5 rings |
| 6 | 6 rings |
| 7 | 7 rings* |
| 8 | 8 rings |
| 9 | 9 rings |

7. Dial Next Number on Busy (#18)

If enabled and a busy is detected, the **E-1600-BLTIPEWP** phone will dial the next programmed speed dial number, and continue to cycle through the numbers until a call is completed.

* **Notes:** This feature is enabled in the factory default setting. If the busy signal is interrupted with a promotional message, contact your central office to have it removed.

| Touch Tone | Dial on Busy |
|------------|--------------|
| 1 | Disabled |
| 2 | Enabled* |

8. Identification Number (#20)

The Touch Tone I.D. number (up to 6 digits) is used by emergency personnel to identify the location of the caller and is given out when the receiving party presses a Touch Tone *. The security office can display the number using a Touch Tone decoder. To program the I.D. number, enter the desired number followed by #20. **Example:** To store 333 as the I.D. number, enter: **3 3 3 # 2 0**

9. Access Code (#21)

The Access Code is used for remotely operating the relay (Doorstrike, Mag-Lock, etc) by calling into the unit. This code provides basic security and only allows operation of the relay and not the ability to change any of the programming parameters. Once entered, any of the "Remote Access Operation Commands" can be used. The code can be 1 to 6 digits in length and cannot contain a "*", "#", or match the numbers used for the security code. To disable the Access Code enter no digits then #21 in programming. Simply call the **E-1600-BLTIPEWP** phone, the unit will automatically answer the line and output two beeps. You then enter the programmed 1 to 6 digit access code, 2 beeps should be heard. You can now enter any "Remote Access Operation Commands" (see page 16).

10. Microphone Volume/Automatic Noise Cancelling Mode (#22)

The microphone volume can be set from 1 to 9 (1 = lowest volume setting, 9 = the highest, factory set to 5) by entering the single digit then the memory location #22. Alternatively the microphone can be placed in the "ANC" Automatic Noise Cancelling mode by entering 0#22 in programming. With the mic in the ANC mode, when background noise increases, the mic gain will automatically decrease. When background noise decreases the mic gain will automatically increase. The ANC mode is useful in applications where the background noise level can change drastically such as a gas car running vs a diesel truck.

11. Speaker Volume (#23)

The speaker volume can be set from 0 to 9 (0 = lowest volume setting, 9 = the highest, factory set to 5) by entering the single digit then the memory location #23. Alternatively the speaker can be turned off for silent monitoring by entering 0#31 (see Speaker Mode section 19).

12. Relay Activation Command (#24)

The one or two digit code stored in the Relay Activation Command is the touch tone command that the person being called must enter on their phone in order to actuate the relay (door strike/mag-lock/gate controller, etc). The code can contain the numbers 0 - 9, 00 - 99, ## or ** (factory default). The code must not match the first 1 or 2 digits of the security code. To program the code to "##" you must enter ***# #24 in programming. To program the code to "**" you must enter **** #24 in programming. To disable this feature enter #24 without any preceding digits. The code must be entered while the remote phone is communicating with the Emergency/Entry phone. The Emergency/Entry phone determines which direction the touch tone is coming from and only responds to touch tones from the called phone.

13. Relay Activation Time (#25)

The value stored in the Relay Activation Time is the amount of time the relay will be energized after a correct touch tone command is entered. This two digit number can range from 01 to 99 seconds, or enter 00 for 0.5 seconds. The factory setting is 5 seconds.

14. Relay Mode (#26)

The 2 amp relay contacts can be programmed to one of five different modes by entering 0,1,2,3 or 4 #26 in programming.

0 = Doorstrike Mode. When programmed for Doorstrike Mode the relay will momentarily activate for the preprogrammed relay activation time after detecting the correct relay activation command (one or two digit touch tone) from the called party.

1 = Outbound Call Mode. When programmed for Outbound Call Mode the relay will activate continuously for the duration of any outbound call from the Emergency/Entry phone. This mode is useful for activating strobe lights for Emergency VoIP phones.

2 = Inbound/Outbound Call Mode. When programmed for Inbound/Outbound Call Mode the relay will activate continuously for the duration of any inbound or outbound call to or from the Emergency/Entry phone. This mode is useful for turning on IR flood lights, for VoIP phones with cameras, etc.

3 = Doorbell Mode. When programmed for Doorbell Mode the relay will momentarily activate the relay for the preprogrammed relay activation time on any outbound call from the Emergency/Entry phone. This mode is useful for activating a door chime, etc. When activating door chimes, a 0.5 - 1 second relay activation time is recommended.

4 = LV-1K Control Mode. When programmed for LV-1K Control Mode the relay will activate continuously while the Emergency/Entry phone is powered and registered to the SIP server. In the event the unit loses power and/or SIP registration the relay will turn off, activating LV-1K's flashing LED and audible beep signals.

5 = Loud Ring Mode. When programmed for Loud Ring Mode the relay will continuously activate while the ringing extension is called. This mode is useful for activating a Viking model SL-2 strobe light, etc.

6 = Loud Ring Flash Mode. When programmed for Loud Ring Flash Mode the relay will momentarily turn on and off in a 400ms on/off cadence while the ringing extension is called. This mode is useful for activating a Viking LPL-1 Remote Visual Indicator, etc.

15. Relay Activation Tone (Buzz) Volume (#27)

The relay activation tone is a buzzing sound that is heard at the Emergency/Entry phone when the door strike relay is activated. After the called party enters the correct relay activation command, the called party will hear 2 short confirmation beeps and the Emergency phone will output a buzzing sound (really activation tone) while the door strike relay is activated. The tone (buzz) length will match the relay activation time up to a maximum of 5 seconds. The tone (buzz) can be programmed to three different volume settings 1 = Low, 2 = Medium, 3 = High in memory location #27. The tone can also be turned off/disabled by entering 0#27.

16. In-Band Audio Detection Sensitivity (#28)

The In-Band Audio Detection Sensitivity can be set from 1 to 9 (1 = minimum setting, 9 = the highest, factory set to 5) by entering the single digit then the memory location #28. Increasing or decreasing the sensitivity may be required in applications where you are making an outbound call through your VoIP phone system and are relying on In-Band analog audio detection of the distant party answering to turn on the call connected LED and/or play the location ID message on Emergency VoIP phones. NOTE: Power cycling the unit is required after touch tone programming this feature.

17. In-Band Audio Call Progress Detection (#29)

The In-Band Audio Call Progress Detection can be set to 0 or 1 (0 = OFF, 1 = ON, factory set to 0) by entering the single digit then the memory location #29. In-Band Audio Call Progress detection should be turned ON in applications where you are making an outbound call through your VoIP phone system and are relying on In-Band analog audio detection of the distant party answering to turn on the call connected LED and/or play the location ID message on Emergency VoIP phones.

18. “Call Connected” LED Control (#30)

The call connected LED on the E-1600-BLTIPEWP phone can be programmed to:

0 = LED will automatically light when the distant party has answered, this is the factory default setting.

1 = LED will light steady, only after a Touch Tone * is entered from the called party.

19. Speaker Mode (#31)

The Speaker Mode can be set to one of three modes.

0 = OFF/Silent Monitoring Mode: In the “OFF” mode the speaker is disabled at all times. However, the speaker can be enabled after communication has been established by entering touch tone command “9#”. The speaker will remain on for the duration of the call.

1 = ON (factory setting): In the “ON” mode the speaker is enabled during In-bound and Out-bound calls.

2 = OFF Until Answered: In the “OFF Until Answered” mode the speaker will remain silent during dialing and will not turn on until the called party has answered.

20. LED Mode (#32)

The “Call / Call Connected” LED can be programmed to one of three different modes: 0/OFF, 1/Entry Phone (factory setting), or 2/Emergency Phone.

0 = OFF Mode: Useful for silent monitoring applications. In this mode the LED will not light during normal operation. It will only light (blink) if it cannot register with the programmed SIP server or while manually resetting all network parameters to factory default.

1 = Entry Phone Mode: The LED will remain ON in the idle state, turn off while button is pressed, blink during dialing, light steady when the call is answered, then turn OFF momentarily when the call is completed.

2 = Emergency Phone Mode: The LED will remain OFF in the idle state, blink during dialing, light steady when the call is connected, then turn OFF when the call is completed.

3 = Emergency Phone Outbound Only: On outbound calls, the LED will remain OFF in the idle state, blink during dialing, light steady when the call is connected, then turn OFF when the call is completed. On in-bound calls, the LED will remain off. This is useful for silent monitoring on inbound calls.

21. Auto Answer / Loud Ring (#33)

The Auto Answer/Loud Ring feature can be set to one of four modes.

0 = Disabled: In the “Disabled” mode the phone will not automatically answer an incoming call. **CAUTION:** In the “Disabled” mode, touch tone programming will not be possible.

1 = Auto Answer (factory setting): In the “Auto Answer” mode the phone will automatically answer an incoming call on the first ring.

2 = Loud Ring: In the “Loud Ring” mode the phone will not automatically answer an incoming call but will output a loud ring signal out of the speaker in a 2 seconds on, 4 seconds off ring pattern. The call can then be answered by pressing the button.

3 = Loud Ring with AGC: In the “Loud Ring with AGC” mode the phone will not automatically answer an incoming call but will output a loud ring signal out of the speaker in a 2 seconds on, 4 seconds off ring pattern. The phone will automatically increase or decrease the ring volume based on background ambient noise. The call can then be answered by pressing the button.

22. Enable/Disable Alternate Switch Action (*1, *2)

With “*1” (factory default) programmed the HELP/CALL button alternately connects and disconnects calls. With “*2” programmed the HELP/CALL button connects calls only. Pressing the button again after the call has been initiated will not terminate the call.

23. Recording the Announcement

| | |
|----------------|--|
| Step 1. | Call into the E-1600-BLTIPEWP Series phone with a Touch Tone phone and access programming. |
| Step 2. | Enter *4, wait for the tone and then begin recording (28 seconds of record time is available). |
| Step 3. | Enter # to stop the recording. Playback is automatic. |
| Step 4. | Enter *5 to review the announcement again. |
| Step 5. | If you choose to not use a voice announcement, enter *3 to clear the recording. |

Example: “Elevator number 1215, located in the Financial Building, needs assistance. Press the star (*) key on your telephone to hear this announcement again.”

24. Enable/Disable Relay Latching Commands (*6, *7)

With “*6” (factory default) programmed the Remote Access Operation Commands (*0 and *1) to Un-Latch or Latch the relay are enabled.

With “*7” programmed the Remote Access Operation Commands (*0 and *1) to Un-Latch or Latch the relay are disabled. Disabling the Latch commands can be useful in applications where you want to eliminate the possibility of inadvertently entering a latch command leaving a gate open/closed, etc.

25. Reset All Quick Programming Features (###)

Entering ### in programming will reset all of the Quick Programming Features back to their factory default settings. **Note:** The ### command will not change or reset your IP settings.

Operation

A. “HELP” Button

When the “HELP” button is pressed, the **E-1600-BLT2IPEWP** phone dials a pre-programmed telephone number. The Call Connected LED momentarily flashes during dialing. In the event the line is busy or there is a ring-no-answer, the unit can be programmed to call additional phone numbers.

The phone then cycles through up to 5 pre-programmed emergency numbers until the call is answered. When the call is answered, the digital voice announcer will automatically play to identify the location of the emergency call. The phones are factory programmed to play the announcement once, and then automatically light the “Call Connected” LED to show that handsfree communication to emergency personnel is established. The * key will send the I.D. number (if programmed), and play the announcement again. The distant party will know the location of the emergency call by either the voice announcement or by decoding the Touch Tone I.D. number. Once the “Call Connected” LED is on, the # key can be used to force the phone to hang-up.

B. “INFO” Button (E-1600BLT2IPEWP)

When the “INFO” button is pressed (**E-1600BLT2IPEWP** only), the phone goes off-hook and dials the first “INFO” phone number programmed. If a busy signal is detected or the call goes unanswered, the phone will cycle through all five “INFO” phone numbers until the call is answered. When answered, handsfree communication is established. **Note:** *The voice announcement is for Emergency/Help calls only and will not play on a call initiated from the “INFO” button.*

C. Remote Access Operation Commands

The following commands can be entered after answering an inbound call from the emergency phone. The commands can also be entered on an outbound call to the emergency phone. After the emergency phone auto answers the call, two beeps will be heard. If the access code has been disabled, you can now enter the Remote Access Operation Commands below. If an Access code has been programmed, enter the Access code digits. With the correct code entered, two beeps will be heard and you can now enter the Remote Access Operation Commands below.

| Feature | Tone Tone Command | Description |
|--------------------------|-------------------|--|
| Activate Relay | ** or __ __ | Momentarily activate relay (1 or 2 digits, factory set to **). |
| Un-Latch Relay | *0 | Un-latch* (deactivate) the relay. |
| Latch Relay | *1 | Latch* (continuously activate) the relay. |
| Disconnect | # | Disconnects or forces the emergency phone to hang up. |
| Send ID and Play Message | * | Send I.D. number (if programmed) and plays the announcement. |

* **Note:** *Latching commands must be enabled (*6) in programming.*

Troubleshooting

If the unit cannot register with the programmed SIP server, the LED will blink on and off every two seconds, and three error beeps will be heard every 30 seconds until communication is restored. This alerts a potential user of a problem with the device that will prevent an emergency phone call from being made.

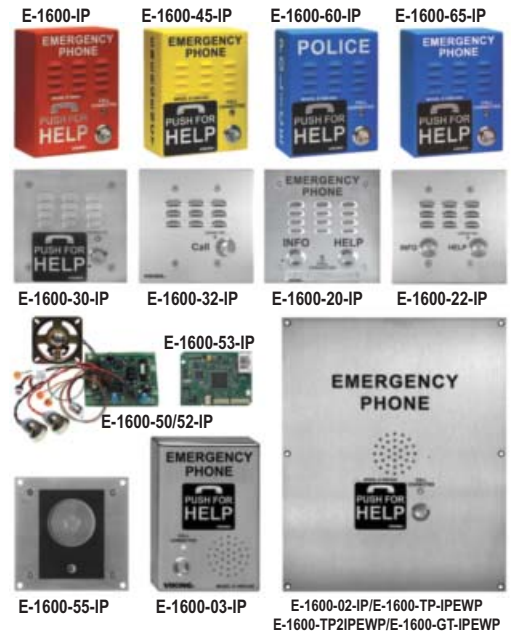
You may silence the error beeps, per instance, by pressing and holding the HELP button for 5 seconds or by clicking the “Mute Alarm Until Next Failure” button in the Viking VoIP Programming Software (see section **A** on page 9). The error beeps automatically re-enable once the unit is registered, to alert of any new problems that arise.

ADA Compliant VoIP Emergency Phones with Built-In Dialer and Digital Voice Announcer

The **1600-IP Series** ADA Compliant VoIP Emergency Phones are designed to provide quick and reliable handsfree communication for SIP VoIP phone systems with PoE. All **1600-IP Series** phones meet ADA requirements for elevator/ emergency telephones, and can be programmed from any Touch Tone phone or PC on the same LAN. The phones can dial up to 5 programmable emergency numbers. In addition, the **E-1600-20-IP**, **E-1600-22-IP**, **E-1600-52-IP** and **E-1600-TP2IPEWP** feature a second "INFO" button that will dial up to 5 non-emergency numbers.

The **1600-IP Series** phones can be programmed to automatically deliver a digital announcement to identify the location of the emergency call. Alternatively, a DTMF Touch Tone code may also be delivered. A "Call Connected" LED can be initiated manually or automatically. All programming parameters, including phone numbers and location numbers, are stored in non-volatile memory, requiring no batteries. All units are PoE powered.

For outdoor installations where the unit is exposed to precipitation or condensation, select **1600-IP Series** phones are available with Enhanced Weather Protection (**EWP**). EWP products feature foam rubber gaskets and boots, sealed connections, gel-filled butt connectors, as well as urethane or thermal plastic potted circuit boards. For more information, see **DOD# 859**.



Warranty

IF YOU HAVE A PROBLEM WITH A VIKING PRODUCT, CONTACT: VIKING TECHNICAL SUPPORT AT (715) 386-8666

Our Product Support Department is available Monday through Friday 8:00am - 5:00pm central time. So we can give you better service, before you call please:

1. Know the model number, the serial number and what software version you have (see serial label).
2. Have your Product Manual in front of you.
3. It is best if you are on site.

RETURNING PRODUCT FOR REPAIR

The following procedure is for equipment that needs repair:

1. Customer must contact Viking's Technical Support Department at 715-386-8666 to obtain a Return Authorization (RA) number. The customer MUST have a complete description of the problem, with all pertinent information regarding the defect, such as options set, conditions, symptoms, methods to duplicate problem, frequency of failure, etc.
2. Packing: Return equipment in original box or in proper packing so that damage will not occur while in transit. Static sensitive equipment such as a circuit board should be in an anti-static bag, sandwiched between foam and individually boxed. All equipment should be wrapped to avoid packing material lodging in or sticking to the equipment. Include ALL parts of the equipment. C.O.D. or freight collect shipments cannot be accepted. Ship cartons prepaid to: **Viking Electronics, 1531 Industrial Street, Hudson, WI 54016**
3. Return shipping address: Be sure to include your return shipping address inside the box. We cannot ship to a PO Box.
4. RA number on carton: In large printing, write the R.A. number on the outside of each carton being returned.

RETURNING PRODUCT FOR EXCHANGE

The following procedure is for equipment that has failed out-of-box (within 10 days of purchase):

1. Customer must contact Viking's Technical Support at 715-386-8666 to determine possible causes for the problem. The customer MUST be able to step through recommended tests for diagnosis.
2. If the Technical Support Product Specialist determines that the equipment is defective based on the customer's input and troubleshooting, a Return Authorization (R.A.) number will be issued. This number is valid for fourteen (14) calendar days from the date of issue.
3. After obtaining the R.A. number, return the approved equipment to your distributor, referencing the R.A. number. Your distributor will then replace the Viking product using the same R.A. number.
4. **The distributor will NOT exchange this product without first obtaining the R.A. number from you. If you haven't followed the steps listed in 1, 2 and 3, be aware that you will have to pay a restocking charge.**

TWO YEAR LIMITED WARRANTY

Viking warrants its products to be free from defects in the workmanship or materials, under normal use and service, for a period of two years from the date of purchase from any authorized Viking distributor. If at any time during the warranty period, the product is deemed defective or malfunctions, return the product to Viking Electronics, Inc., 1531 Industrial Street, Hudson, WI., 54016. Customer must contact Viking's Technical Support Department at 715-386-8666 to obtain a Return Authorization (R.A.) number.

This warranty does not cover any damage to the product due to lightning, over voltage, under voltage, accident, misuse, abuse, negligence or any damage caused by use of the product by the purchaser or others. This warranty does not cover non-EWP products that have been exposed to wet or corrosive environments. This warranty does not cover stainless steel surfaces that have not been properly maintained.

NO OTHER WARRANTIES. VIKING MAKES NO WARRANTIES RELATING TO ITS PRODUCTS OTHER THAN AS DESCRIBED ABOVE AND DISCLAIMS ANY EXPRESS OR IMPLIED WARRANTIES OR MERCHANTABILITY OR FITNESS FOR ANY PARTICULAR PURPOSE.

EXCLUSION OF CONSEQUENTIAL DAMAGES. VIKING SHALL NOT, UNDER ANY CIRCUMSTANCES, BE LIABLE TO PURCHASER, OR ANY OTHER PARTY, FOR CONSEQUENTIAL, INCIDENTAL, SPECIAL OR EXEMPLARY DAMAGES ARISING OUT OF OR RELATED TO THE SALE OR USE OF THE PRODUCT SOLD HEREUNDER.

EXCLUSIVE REMEDY AND LIMITATION OF LIABILITY. WHETHER IN AN ACTION BASED ON CONTRACT, TORT (INCLUDING NEGLIGENCE OR STRICT LIABILITY) OR ANY OTHER LEGAL THEORY, ANY LIABILITY OF VIKING SHALL BE LIMITED TO REPAIR OR REPLACEMENT OF THE PRODUCT, OR AT VIKING'S OPTION, REFUND OF THE PURCHASE PRICE AS THE EXCLUSIVE REMEDY AND ANY LIABILITY OF VIKING SHALL BE SO LIMITED.

IT IS EXPRESSLY UNDERSTOOD AND AGREED THAT EACH AND EVERY PROVISION OF THIS AGREEMENT WHICH PROVIDES FOR DISCLAIMER OF WARRANTIES, EXCLUSION OF CONSEQUENTIAL DAMAGES, AND EXCLUSIVE REMEDY AND LIMITATION OF LIABILITY, ARE SEVERABLE FROM ANY OTHER PROVISION AND EACH PROVISION IS A SEPARABLE AND INDEPENDENT ELEMENT OF RISK ALLOCATION AND IS INTENDED TO BE ENFORCED AS SUCH.

If trouble is experienced with the **E-1600-BLTPEWP / E-1600BLT2IPEWP / E-1600-ASTIPEWP / E-1600AST2IPEWP** phone, for repair or warranty information, please contact:

Viking Electronics, Inc., 1531 Industrial Street, Hudson, WI 54016 (715) 386-8666

WHEN PROGRAMMING EMERGENCY NUMBERS AND (OR) MAKING TEST CALLS TO EMERGENCY NUMBERS:

Remain on the line and briefly explain to the dispatcher the reason for the call. Perform such activities in the off-peak hours, such as early morning or late evenings.

PART 15 LIMITATIONS

This equipment has been tested and found to comply with the limits for a Class A digital device, pursuant to Part 15 of the FCC Rules. These limits are designed to provide reasonable protection against harmful interference when the equipment is operated in a commercial environment. This equipment generates, uses, and can radiate radio frequency energy and, if not installed and used in accordance with the instruction manual, may cause harmful interference to radio communications. Operation of this equipment in a residential area is likely to cause harmful interference in which case the user will be required to correct the interference at his own expense.

Product Support: (715) 386-8666

Due to the dynamic nature of the product design, the information contained in this document is subject to change without notice. Viking Electronics, and its affiliates and/or subsidiaries assume no responsibility for errors and omissions contained in this information. Revisions of this document or new editions of it may be issued to incorporate such changes.