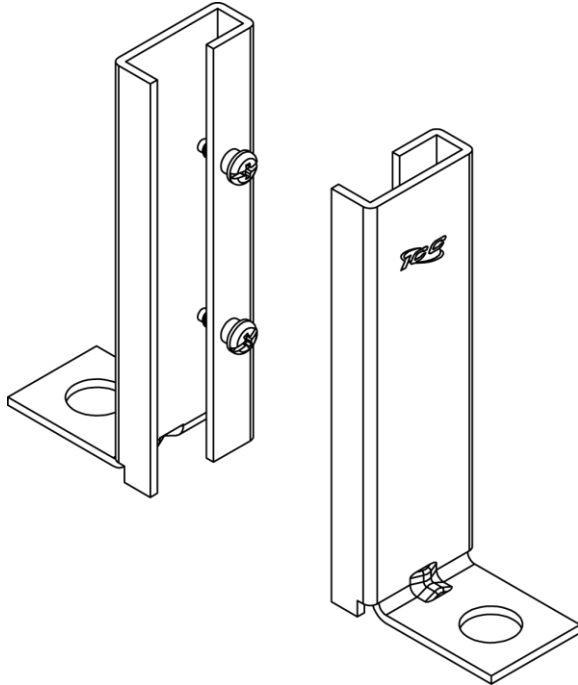


Runway Kit, Floor Foot, 2 Pack

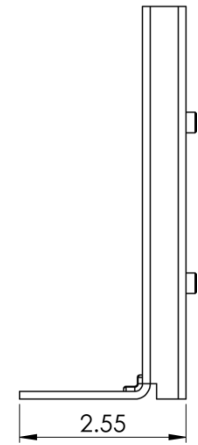
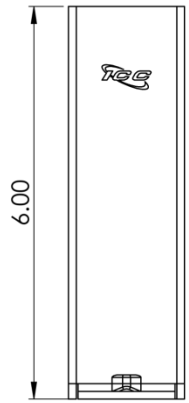
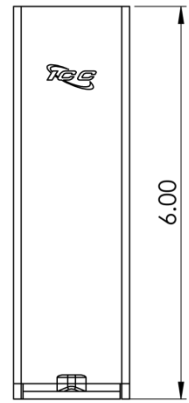
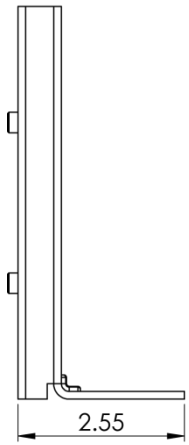


Package Includes

- A. Floor Foot, **2 Pieces**.
- B. #12-24 x 5/8 Pan Head, Pilot Point Machine Screw, **4 Pieces**
- C. Installation Instructions, **1 Sheet**

Features and Benefits

- Designed with durable steel construction providing strength and stability
- Designed to secure ladder rack runway to floor
- Easy and simple installation
- Used with ICCMSLST ladder rack runways
- 2 Piece design, available in 2 Pack



Specifications

- Material: 11 GA CRS
- Surface Finish: Black Powder Coat

